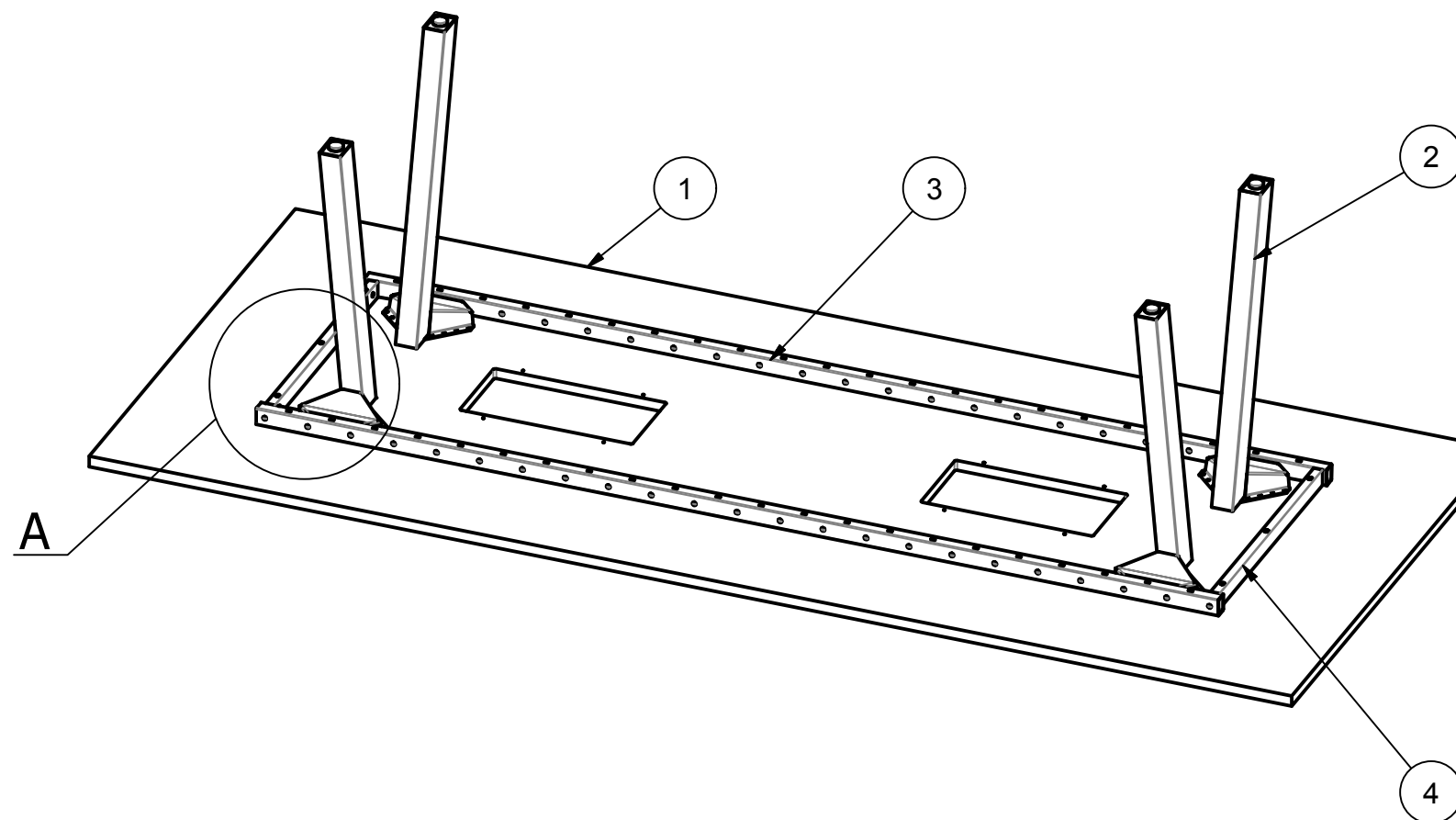
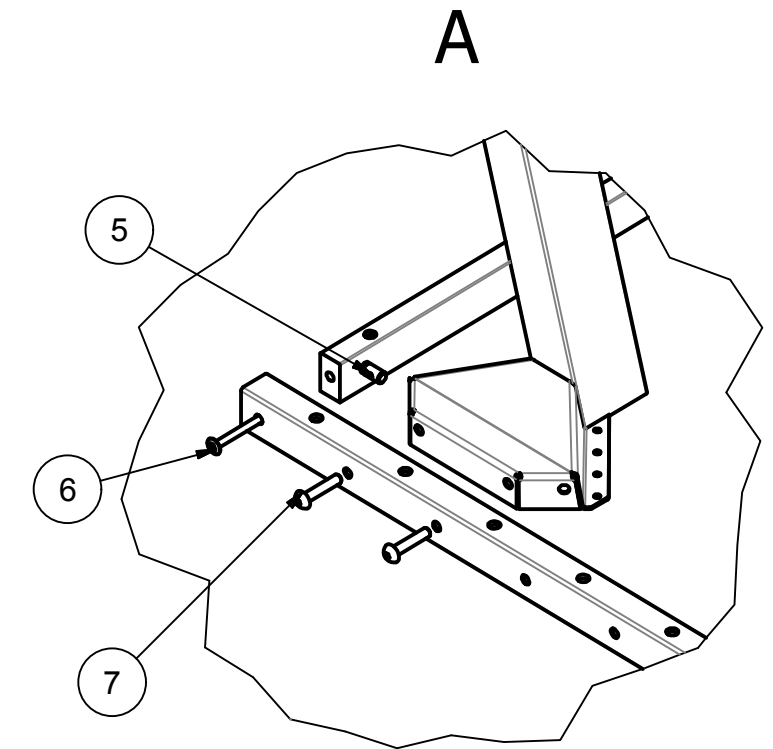


Table 2800 x 1200



PARTS LIST			
Ite	Qty	Part number	Description
1	1	Tabletop 2800 x 1200	
2	4	Leg	
3	2	Beam 22M	L=2240 mm
4	2	Cross part	L=600 mm
5		Cylinder nut M6x14	
6		Connecting bolt M6x60	
7		Machine screw M8x40	